

Anchored PowerLoc

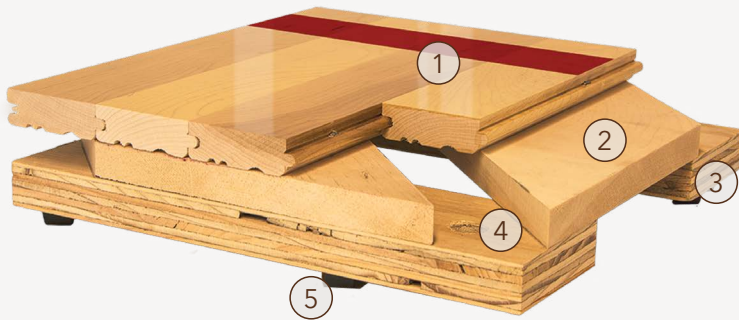
FIXED RESILIENT SYSTEMS

Anchored PowerLoc is a hybrid of our ever popular ScissorLoc and Anchored PowerSleeper systems. The combination of these systems delivers a dimensionally stable floor with excellent ventilation capabilities and uniform performance. The option of the PowerVent™ Airflow system adds a feature which will detect moisture and start drying the system with mechanical airflow. The floor's uniform performance makes it a good selection for new and retrofit sports floor applications. The system is EN-DIN and PUR compliant.



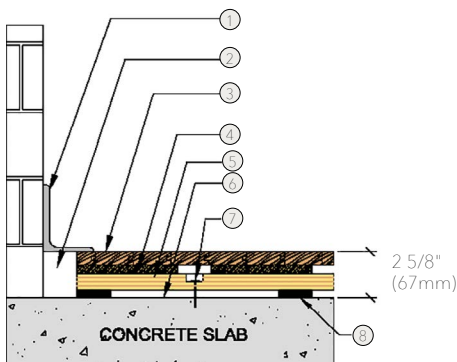
Anchored PowerLoc

Anchored PowerLoc is a hybrid of our ever popular ScissorLoc and Anchored PowerSleeper systems. The floor is a good selection for new and retrofit sports floor applications.



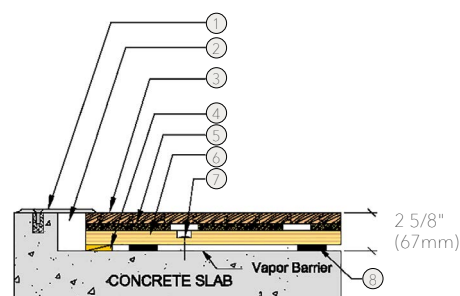
- 1. Precision-milled Acer Maple
- 2. 1/2" x 6" Dimensional Pine (12mm x 140mm)
- 3. Pre-Engineered Plywood Sleeper
- 4. Steel Concrete Anchor with Bushing
- 5. 1/2" (12mm) TriPower™ pad

WALL BASE



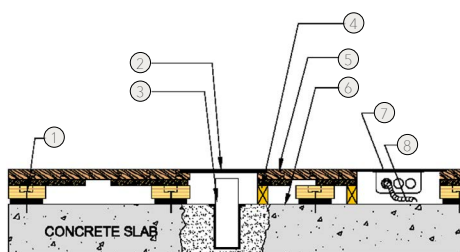
- 1. 3" x 4" (76mm x 101mm) Vent Cove Base
- 2. 2" (51mm) Min. Expansion Space
- 3. MFMA Maple Flooring 25/32" x 2 1/4" (20mm x 57mm)
- 4. 1/2" x 6" Dimensional Pine (12mm x 140mm)
- 5. Pre-Engineered Plywood Sleeper
- 6. Vapor Barrier
- 7. Steel Concrete Anchor with Bushing
- 8. Resilient Pad

THRESHOLD



- 1. 1/4" (6mm) Aluminum Threshold
- 2. 2" (51mm) Min. Expansion Space
- 3. MFMA Maple Flooring 25/32" x 2 1/4" (20mm x 57mm)
- 4. Solid Blocking
- 5. 1/2" x 6" Dimensional Pine (12mm x 140mm)
- 6. Pre-Engineered Plywood Sleeper
- 7. Steel Concrete Anchor with Bushing
- 8. Resilient Pad

EQUIPMENT



- 1. Steel Concrete Anchor with Bushing
- 2. Floor Plate
- 3. 1 1/2" (38mm) Min. Expansion Space Required at all Insert & Electrical Penetrations
- 4. Solid Blocking at Floor Insert Penetration
- 5. MFMA Maple Flooring 25/32" x 2 1/4" (20mm x 57mm)
- 6. Vapor Barrier
- 7. Flush Electrical Box or Scorer's Box
- 8. Flexible Conduit

Anchorage

Drill and Pin

Certified



Green Status and LEED Contributors



- FSC® Certified Maple - MRC7
- FSC® Certified Subfloor Components - MRC7
- EQ - 4.2
- Regional Materials - MRC5.1 & 5.2

Optional Version

Other pad options available. Contact your Regional Sales Manager.

Resilience

1/2" (12mm) TriPower™ Pad

Slab Depression

- 1/2" (12mm) TriPower™ Pad
- 25/32" (20mm) flooring – 2 5/8" (67mm)
- 33/32" (26mm) flooring – 2 7/8" (73mm)

Protection System

PowerVent™

Subfloor Construction

Engineered sleepers and subfloor

System Type

Fixed Resilient

Testing Laboratory



Warranty

Lifetime available

It is the policy of Acer Flooring to continuously improve its line of products. Therefore, Acer Flooring reserves the right to change, modify or discontinue systems, specifications and accessories of all products at any time without notice or obligation to purchaser.



see us at
Sweets.com

