

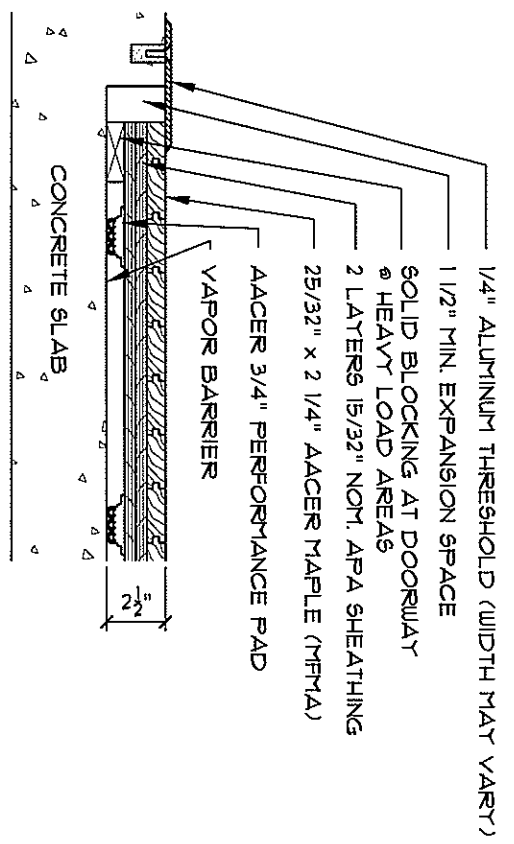
# WALL BASE DETAIL

SCALE: 1 1/2" = 1'-0"



THIS POINT IS THE PROPERTY OF AACER FLOORING, LLC AND IS NOT TO BE REPRODUCED OR REPRODUCED WITHOUT EXPRESS WRITTEN PERMISSION.  
 COPYRIGHT BY AACER FLOORING, LLC PESHICO, NJ. ALL RIGHTS RESERVED AND ENFORCED.

DETAIL	WALL BASE DETAIL	DATE	6/8/2001	PROJECT NAME	.
CAD FILE	1768ACEFLX-WB	REV	.	ADDRESS	.
SUBMITTED BY				ARCHITECT	.
				INSTALLING CONTRACTOR	.



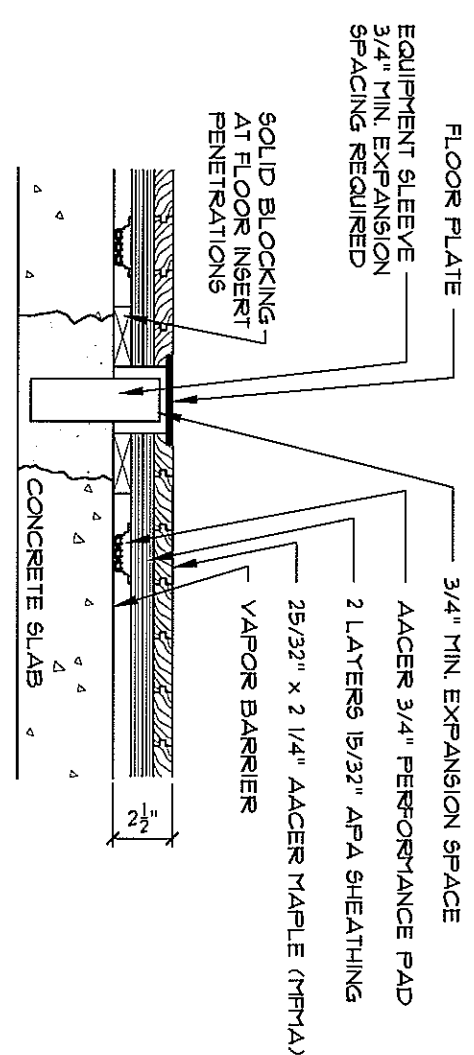
# THRESHOLD DETAIL

SCALE: 1/2" = 1'-0"



THIS PRINT IS THE PROPERTY OF AACER. IT IS NOT TO BE USED, COPIED, REPRODUCED, OR REPRODUCED WITHOUT PERMISSION. ALL RIGHTS RESERVED BY AACER FLOORING, LLC. PHOTOGRAPHY, REPRODUCTION, AND DISTRIBUTION ARE PROHIBITED.

DETAIL	THRESHOLD DETAIL	DATE	6/8/2001	PROJECT NAME	.
CAD FILE	IT68ACEFLX-TD	REV	.	ADDRESS	.
SUBMITTED BY				ARCHITECT	.
				INSTALLING CONTRACTOR	.



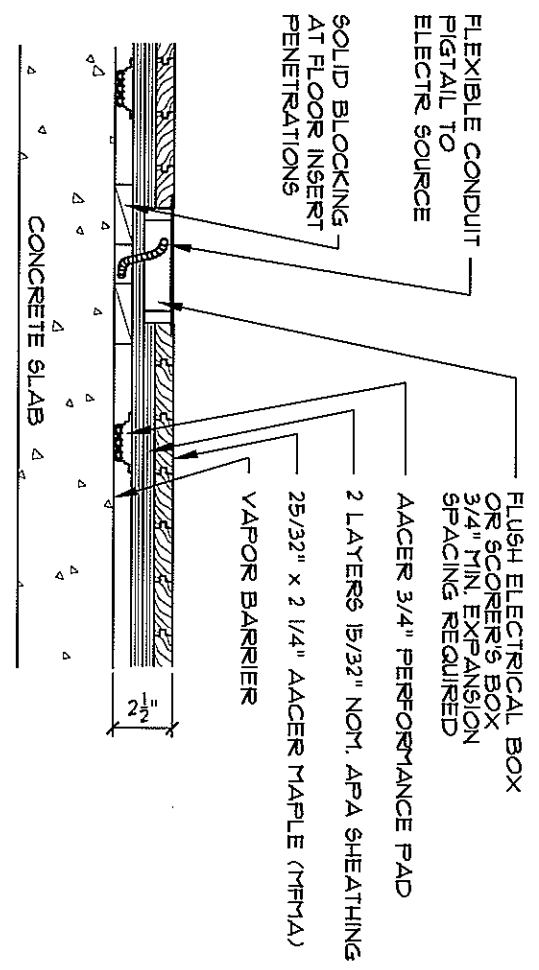
# INSERT DETAIL

SCALE: 1 1/2" = 1'-0"



THIS PRINT IS THE PROPERTY OF AACER FLOORING, LLC. IT IS NOT TO BE USED, COPIED, REPRODUCED, OR REPRODUCED WITHOUT PERMISSION. PERMISSION BY AACER FLOORING, LLC IS RESERVED AND ENFORCED.

DETAIL	INSERT DETAIL	DATE	6/8/2001	PROJECT NAME	
CAD FILE	1168ACEFLX-IN	REV		ADDRESS	
SUBMITTED BY				ARCHITECT	
				INSTALLING CONTRACTOR	



# ELECTRICAL BOX DETAIL

SCALE: 1 1/2" = 1'-0"



THIS PRINT IS THE  
 PROPERTY OF AACER  
 AND IS NOT TO BE USED,  
 REPRODUCED, COPIED,  
 OR REPRODUCED WITHOUT  
 EXPRESS WRITTEN  
 PERMISSION.  
 COPYRIGHT BY AACER  
 FLOORING, LLC. DESIGN,  
 MANUFACTURE, AND  
 RESALE ARE PROTECTED  
 AND ENFORCED.

DETAIL ELECTRICAL BOX DETAIL	DATE	6/8/2001	PROJECT NAME	.
CAD FILE 1763ACEFLX-EB	REV	.	ADDRESS	.
SUBMITTED BY			ARCHITECT	.
			INSTALLING CONTRACTOR	.